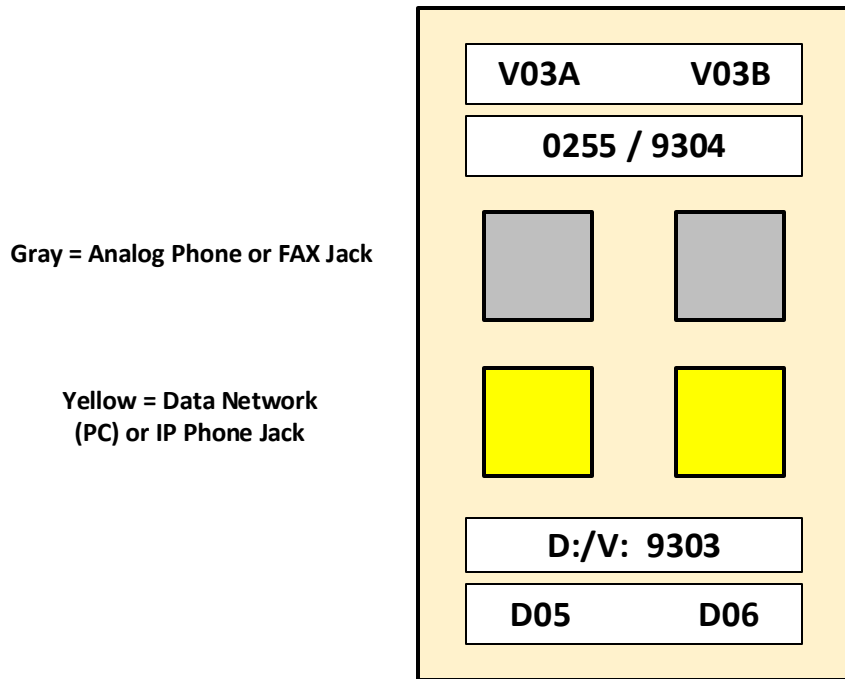


VUMC Network Jack Coding:

Typical VUMC network wall plate,
number and color of jacks will vary.



Legend:

V03A, V03B - Identifies the left and right Voice, or analog telephone jack numbers. (Gray) Note: Voice jacks *cannot pass data*.

0255 – Identifies the Building code assigned by Space & Facilities.

9304 – Identifies the room number you're in.* (Usually)

D05, D06 – Identifies the left and right Data jack numbers. (Yellow)

D:/V: 9303 – Identifies the comm room number for Data and Voice. (In this case, both are in the same room, but not always.)

*** NOTE:** Always use the room number on the *wall plate* when requesting port activations. The room number on the door may not always agree with the number on the wall plate due to renovation or remodeling. This will cause us to patch the wrong jack, or not find your jack number at all.

When requesting a port activation it will help expedite the ticket to ensure it includes:

- Building
- Room number (As taken from the wall plate, *not* the door)
- Jack number on wall plate
- Customer name, location, (if different) and contact information